



LILYKING

Lilyking multi-fuel boilers and stoves

If you're looking for a stylish and traditional way to bring warmth and comfort to your home, look no further than Lilyking.

We have an impressive range of multi-fuel boilers and stoves which can help make your home so much more cosy and inviting. Better still, our multi-fuel boilers and stoves not only have devilishly good looks; they can heat your room, up to 10 radiators in your home and your hot water cleanly, efficiently and reliably. So they can save you money on your heating bills too.

Nearly all of the superb Lilyking products shown in this brochure are available in two versions: as a room heater and also with an integral back boiler to provide heat and hot water for your home. In addition, our freestanding multi-fuel boilers and stoves offer you a choice of a black matt or enamelled finish to suit your décor.

Best of all, the whole range comes with a full five-year guarantee, and we offer free delivery to most of the UK.

Lilyking... powerful stoves you can rely on.

Introducing the new space saving Lilyking 609 inset multi-fuel stove



Just perfect when space is a premium

No room for a freestanding stove? Well now you can still have all the benefits of a real fire without the hassle with our new inset multi-fuel stove. With its sleek design and 6.5kW output, it is capable of heating small to medium sized rooms with ease. Comes with a clean glass airwash system, internal cast iron protection plates and, of course, our five-year guarantee.



609 Matt Black

Features

- Overnight burning facility
- Controlled burn rate
- Large window view
- Polished stainless steel fittings
- Non-conducting handle
- Detailed cast design
- Ash pan and tool

SPECIFICATIONS - 609

Room heat output	6.5kW
Room heating capacity	91m ³
Efficiency rating	76%
Max CO ₂	0.3%
Flue outlets	Rear
Flue diameter	150mm
Net weight	77kg
Manufactured specification	CE EN 13240



LILYKING

Lilyking quality

Lilyking multi-fuel boilers and stoves offer you the perfect combination of excellent quality and outstanding value for money. Built to a high specification, each one of our boilers and stoves is solidly built from cast iron to give many years of trouble-free service in your home.

Lilyking value

Each Lilyking boiler and stove is not just competitively priced. It could even help save you money on our heating bills in the long run. What's more, because they all run on a variety of fuels, you could even make big savings here too.

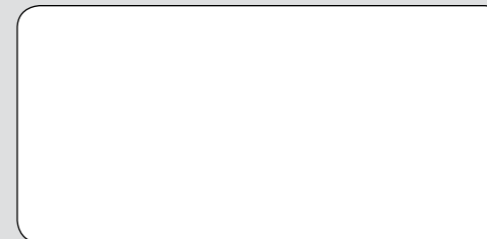
Installation

All Lilyking multi-fuel boilers and stoves have a five-year guarantee. Lilyking recommend that a qualified HETAS installer installs your product to ensure that your guarantee is validated. All installations must conform to the Building Regulations and should be carried out by a qualified HETAS installer. Your local Lilyking dealer should be able to offer advice on this. Failure to comply with these installation instructions may lead to reduced performance and will invalidate the guarantee.

Lilyking five-year guarantee

All Lilyking multi-fuel boilers and stoves are guaranteed for a full five years on the firebox (welding only), handle assembly and cast iron parts. There is also a one-year guarantee on the ceramic glass (thermal breakage only) and paint. Our customer promise means that if anything is found to be faulty at the point of delivery, we will exchange it without question. This guarantee is subject to our terms and conditions and applies to normal household use only. Damage caused by misuse, abuse, improper installation, lack of maintenance, over firing, negligence or transportation is not covered. Full details can be found on our website or on request.

Authorised dealer



Lilyking Stoves | Unit 2-3 Wansell Road | Weldon North Industrial Estate | Corby | Northants NN17 5LX
Tel: 01536 202574 | www.lilykingstoves.co.uk | www.uk-stoves.co.uk

Bring the warmth back into your lives...



LILYKING

5kW Lilyking 629 multi-fuel stove
7kW Lilyking 627 multi-fuel boiler stove

A superb, medium-sized, traditionally styled stove that can bring a distinctive, heart-warming focal point to your home. This elegant design comes with a riddling grate, hi-tech secondary combustion, special airwash system, dual air controls and a five-year guarantee. The 627 multi-fuel boiler stove comes with a built-in 4kW back boiler that can heat your home cleanly and affordably.



629 Matt Black



629 Red Enamelled



627 Black Enamelled



627 Brown Enamelled

Features

- Overnight burning facility
- Controlled burn rate
- Polished stainless steel fittings
- Heat resistant internal castings
- Non heat-conducting handle
- Detailed cast design
- Ash pan and tool

Also available with a Cream Enamelled finish

8kW Lilyking 659 multi-fuel stove
11.5kW Lilyking 657 multi-fuel boiler stove

A beautifully designed and handsomely styled stove ideal for the medium to large sized room. This stove can bring life and warmth to any empty, unused brick or stone fireplace and includes a riddling grate, hi-tech secondary combustion, special airwash system, dual air controls and a five-year guarantee. The 657 multi-fuel boiler stove produces 7.5kW to heat up to six radiators with maximum efficiency, leaving 4kW to heat your room.



657 Matt Black



659 Cream Enamelled



657 Black Enamelled



657 Brown Enamelled

Features

- Overnight burning facility
- Controlled burn rate
- Polished stainless steel fittings
- Heat resistant internal castings
- Non heat-conducting handle
- Detailed cast design
- Ash pan and tool

Also available with a Red Enamelled finish

18.5kW Lilyking 679 multi fuel stove
21kW Lilyking 677 multi-fuel boiler stove

A solidly built, superbly efficient, large multi-fuel stove that will be an eye-catching centrepiece to any home for years to come. This striking design offers a riddling grate, hi-tech secondary combustion, special airwash system, dual air controls and a five-year guarantee. The 677 is just as impressive with a back boiler generating up to 15kW to radiators and 6kW to the room, comfortably heating a three-bedroom house with 10 radiators.



679 Matt Black



677 Matt Black



677 Black Enamelled



677 Brown Enamelled

Features

- Controlled burn rate
- Polished stainless steel fittings
- Heat resistant internal castings
- Separate ashpan compartment
- Non heat-conducting handle
- Detailed cast design
- Ash pan and tool
- Top efficiency rating reaching 78% (677 model)

Also available with a Cream or Red Enamelled finish

16.5kW Lilyking 669 multi-fuel stove
18.5kW Lilyking 667 multi-fuel boiler stove

A large and impressive double-door multi-fuel stove, which would be a wonderful addition to any home. This stylish stove combines timeless design with modern energy-saving features and comes with a riddling grate, hi-tech secondary combustion, dual air controls, overnight burning facility and a five-year guarantee. The 667 multi-fuel boiler stove offers the same good looks and has an integral 15kW back boiler to heat up to 10 radiators in your home.



669 Matt Black



669 Matt Black



667 Cream Enamelled



667 Red Enamelled

Features

- Controlled burn rate
- Polished stainless steel fittings
- Heat resistant internal castings
- Non heat-conducting handle
- Detailed cast design
- Double door design
- Ash pan and tool

Also available with a Black or Brown Enamelled finish

Technical information

Lilyking 629 multi-fuel

SPECIFICATIONS

Room heat output	5kW
Room heating capacity	70m ³
Efficiency rating	70%
Max CO ₂	0.3%
Grate capacity	1.5kg
Flue outlets	Top and rear
Flue diameter	125mm
Net weight	89kg
Manufactured specification	CE EN 13240

Lilyking 659 multi-fuel

SPECIFICATIONS

Room heat output	8kW
Room heating capacity	112m ³
Efficiency rating	70%
Max CO ₂	0.3%
Grate capacity	2.8kg
Flue outlets	Top and rear
Flue diameter	150mm
Net weight	116kg
Manufactured specification	CE EN 13240

Lilyking 679 multi-fuel

SPECIFICATIONS

Room heat output	18.5kW
Room heating capacity	259m ³
Efficiency rating	70%
Max CO ₂	0.3%
Grate capacity	4.8kg
Flue outlets	Top and rear
Flue diameter	150mm
Net weight	206kg
Manufactured specification	CE EN 13240

Lilyking 669 multi-fuel

SPECIFICATIONS

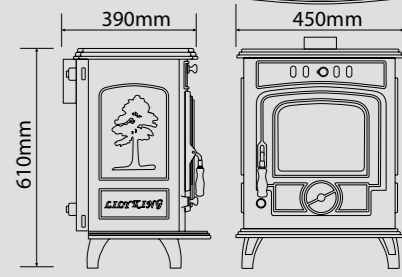
Room heat output	16.5kW
Room heating capacity	239m ³
Efficiency rating	70%
Max CO ₂	0.3%
Grate capacity	4.8kg
Flue outlets	Top
Flue diameter	150mm
Net weight	206kg
Manufactured specification	CE EN 13240



Lilyking... powerful stoves you can rely on.



Lilyking 627/9

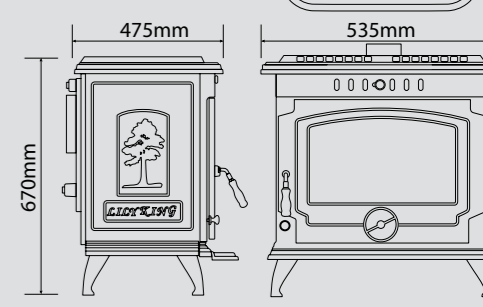


BOILER SPECIFICATIONS - 627

Boiler output	4kW
Room heat output	3kW
Radiator capacity	2-3
Boiler pipe diameter	32mm
Flue diameter	125mm



Lilyking 657/9

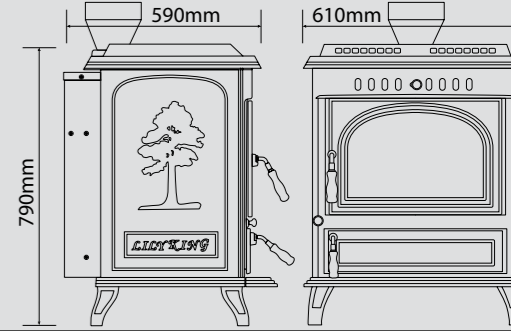


BOILER SPECIFICATIONS - 657

Boiler output	7.5kW
Room heat output	4kW
Radiator capacity	5-6
Boiler pipe diameter	32mm
Flue diameter	150mm



Lilyking 677/9

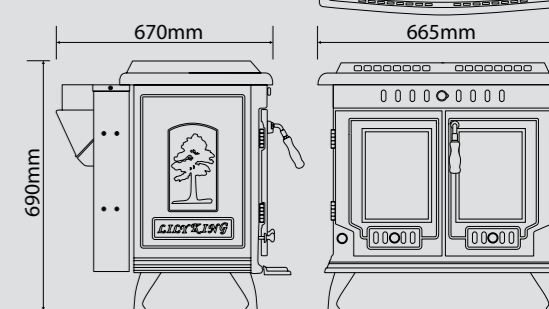


BOILER SPECIFICATIONS - 677

Boiler output	15kW
Room heat output	6kW
Radiator capacity	8-10
Boiler pipe diameter	32mm
Flue diameter	150mm



Lilyking 667/9



BOILER SPECIFICATIONS - 667

Boiler output	15kW
Room heat output	3.5kW
Radiator capacity	8-10
Boiler pipe diameter	32mm
Flue diameter	150mm